



ulmconversion ulmconversion

Model UC12004
Modèle UC12004



Thank you for purchasing a Ulm Conversion from Spot On Square. We are proud to be a part of your growing family. We build our products with the safety of your child as our highest priority. In reading the following instructions you will find a simple series of steps that will guide you in the assembly of your Ulm Conversion. To avoid damage and ensure the safety of your child please follow the instructions carefully.

If you have questions about the assembly process or are missing any parts please contact us.

Merci d'avoir acheté un Ulm Conversion de Spot On Square. Nous sommes fiers de faire partie de votre famille grandissante. Nous construisons nos produits avec la sécurité de votre enfant comme notre plus haute priorité. En lisant les instructions ci-après vous trouverez une série de mesures simples qui vous guidera dans l'assemblage de votre Ulm Conversion. Pour éviter des dommages et assurer la sécurité de votre enfant s'il vous plaît suivre les instructions attentivement.

Si vous avez des questions du procédé d'assemblage ou vous manquez quelque chose, contactez nous s'il vous plait.

Spot On Square LLC
PO Box 6241
Orange, CA 92859
Toll-free (800) 308-0046
info@spotonsquare.com
www.spotonsquare.com

WARNING

Failure to follow these warnings and assembly instructions could result in serious injury or death.

CAUTION: Any mattress used in this crib must be at least 27 1/4 inches by 51 5/8 inches (69 cm x 131 cm) with a thickness not exceeding 6 inches (15 cm).

READ ALL INSTRUCTIONS BEFORE ASSEMBLING CRIB. KEEP THE MANUAL FOR FUTURE USE.

Use and Care

*To reduce the risk of SIDS, pediatricians recommend healthy infants be placed on their backs to sleep, unless otherwise advised by your physician.

Strangulation Hazard

*Strings can cause strangulation! Do not place items with a string around a child's neck, such as hood strings or pacifier cords. Do not suspend strings over a crib or attach strings to toys.

*To help prevent strangulation tighten all fasteners. A child can trap parts of the body or clothing on loose fasteners.

***DO NOT** place crib near window where cords from blinds or drapes may strangle a child.

Fall Hazard

*When child is able to pull to a standing position, set mattress to lowest position and remove bumper pads, large toys and other objects that could serve as steps for climbing out.

*When child is able to climb out or reaches the height of 35 in. (90 cm), the crib shall no longer be used.

*Check this product for damaged hardware, loose joints, missing parts or sharp edges before and after assembly and frequently during use. **DO NOT** use crib if any parts are missing, damaged or broken. Ask dealer or contact Spot On Square for replacement parts and instructional literature if needed. **DO NOT** substitute parts.

***DO NOT** use a water mattress with this crib.

Check fasteners periodically for tightness. Do not overtighten. This may cause distortion or breakage.

*Never use plastic shipping bags or other plastic film as mattress covers because they can cause suffocation.

*Infants can suffocate in gaps between crib sides and a mattress that is too small.

*Parents should ensure a safe environment for their child by checking the crib regularly before placing the child in the product. Please make sure that every component is properly and securely in place.

*Do not use abrasive chemicals for cleaning. Wipe with a soft cotton cloth, moistened with water. If refinishing, use a non-toxic finish specified for children's products.

*Follow warnings on all products in a crib.

* Infants can suffocate on soft bedding. Never add a pillow or comforter. Never place additional padding under an infant. See top of mattress platform for warnings.

! WARNING

CANADIAN REGULATIONS

Do not use this crib if the enclosed or attached instructions cannot be strictly adhered to.

Do not use this crib if the child is able to climb out unaided or is taller than 90 cm.

Do not place cords, straps or similar items that could become wound around the child's neck in or near this crib.

Ensure that the sides are properly latched or locked in place when the crib is occupied.

The mattress used with this crib should not be more than 15 cm thick and should be of such length and width that the gap between the mattress and the sides of the crib is not more than 3 cm when the mattress is pushed into the corner of the crib.

! MISE EN GARDE

REGLEMENTATIONS CANADIENNES

Ne pas utiliser le lit d'enfant à moins d'être en mesure de respecter rigoureusement le mode d'emploi ci-joint ou apposé sur le produit.

Ne pas utiliser le lit d'enfant si l'enfant est capable d'en sortir sans aide ou si l'enfant mesure plus de 90 cm.

Ne pas mettre dans le lit, ou à proximité du lit, des cordes, courroies ou objets semblables qui pourraient s'enrouler autour du cou de l'enfant.

S'assurer que les côtés sont bien enclenchés ou verrouillés lorsque l'enfant est placé dans le lit.

L'épaisseur du matelas utilisé dans le lit ne doit pas être supérieure à 15 cm, et sa longueur et sa largeur doivent être telles que l'espace entre le matelas et les côtés du lit ne soit pas supérieur à 3 cm lorsque le matelas est poussé dans un des coins.

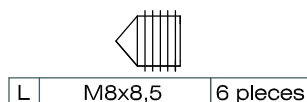
contents contenu

parts présentation

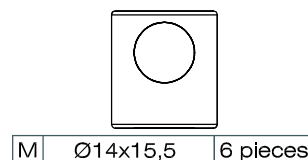


A crib side 1 piece

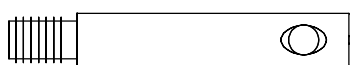
hardware matériel



L M8x8,5 6 pieces



M Ø14x15,5 6 pieces

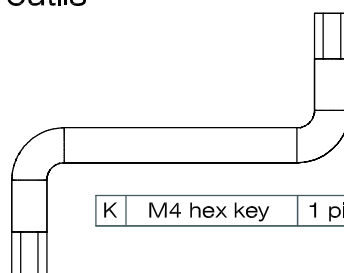


N M6x45 6 pieces



P Ø8X30 dowel 4 pieces

tools outils



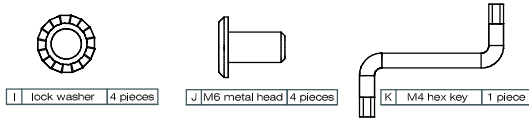
K M4 hex key 1 piece

WARNING: hardware components are a choking hazard and should be kept out of reach of children.

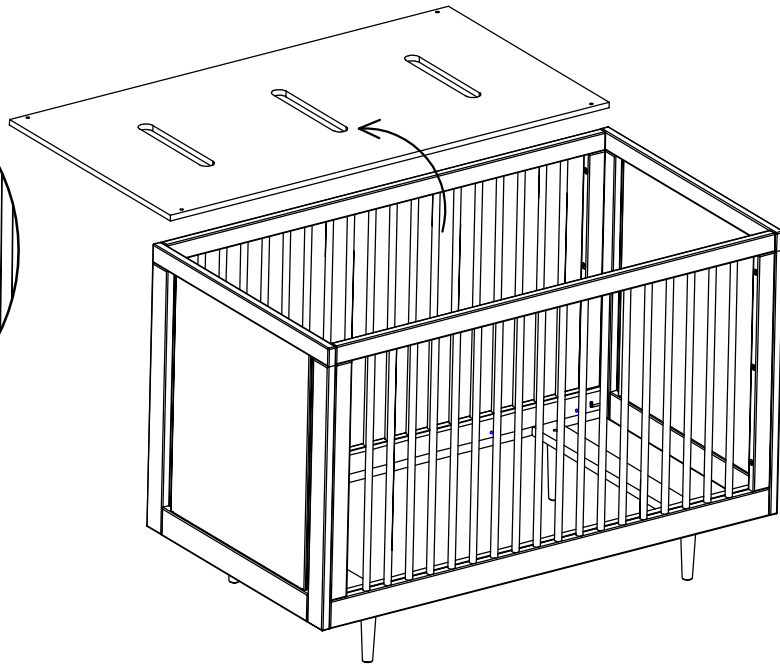
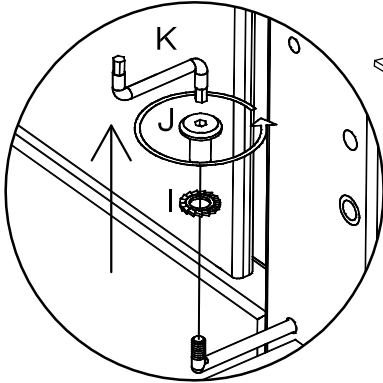
ATTENTION : les pièces d'assemblages peuvent être avalées. Tenir hors de portée des enfants.

assembly instructions
instructions d'assemblage

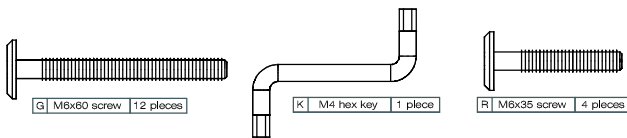
step 1
étape 1



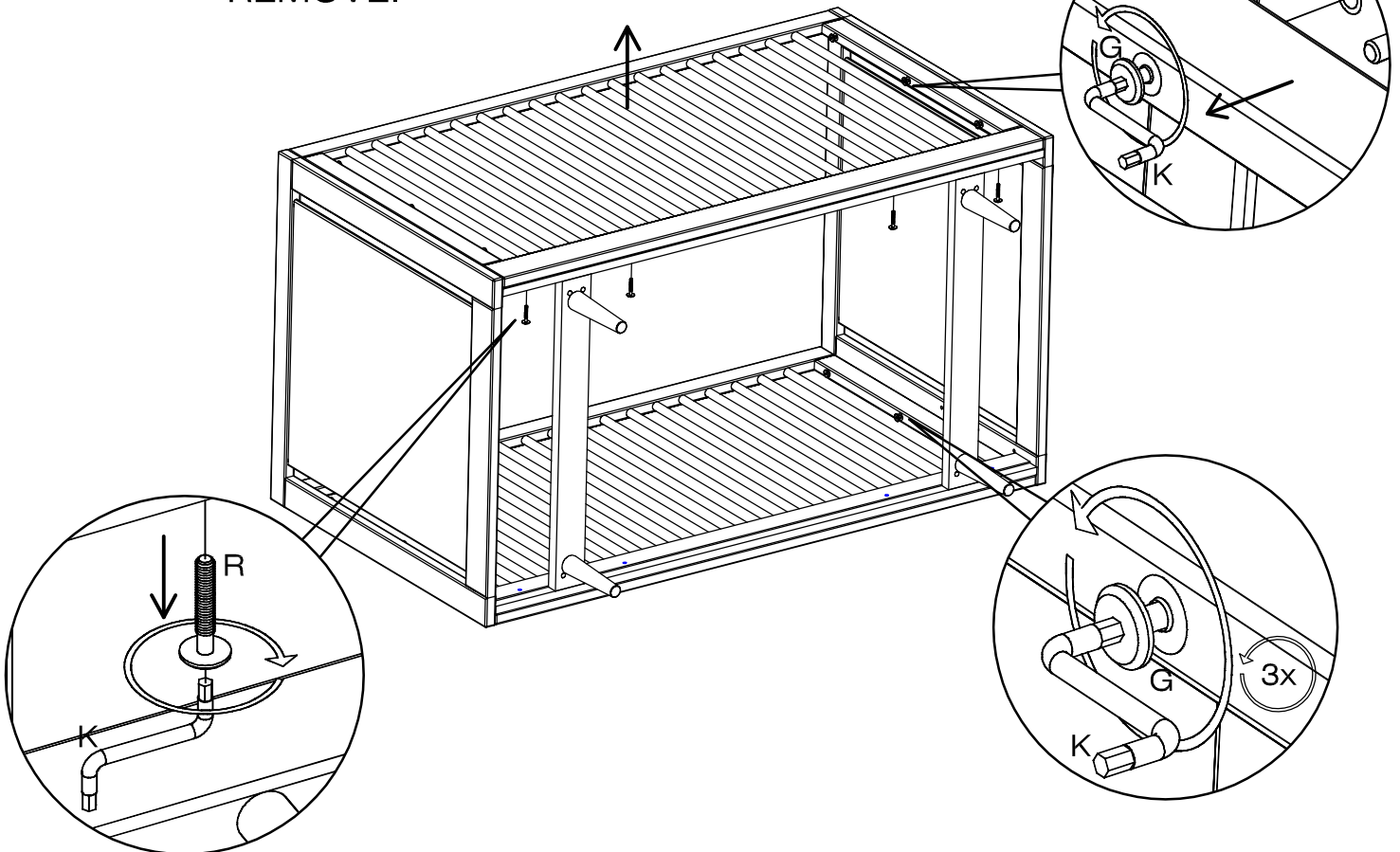
REMOVE!



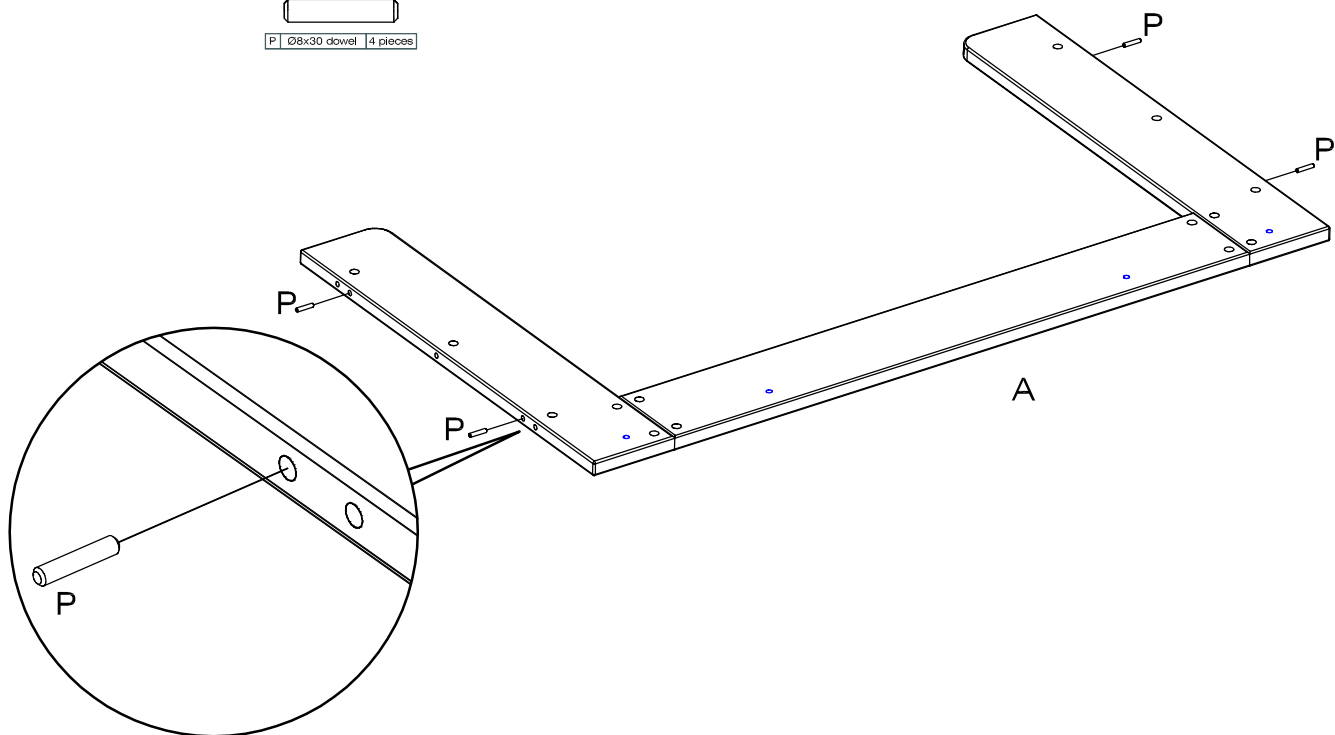
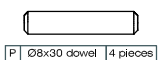
step 2
étape 2



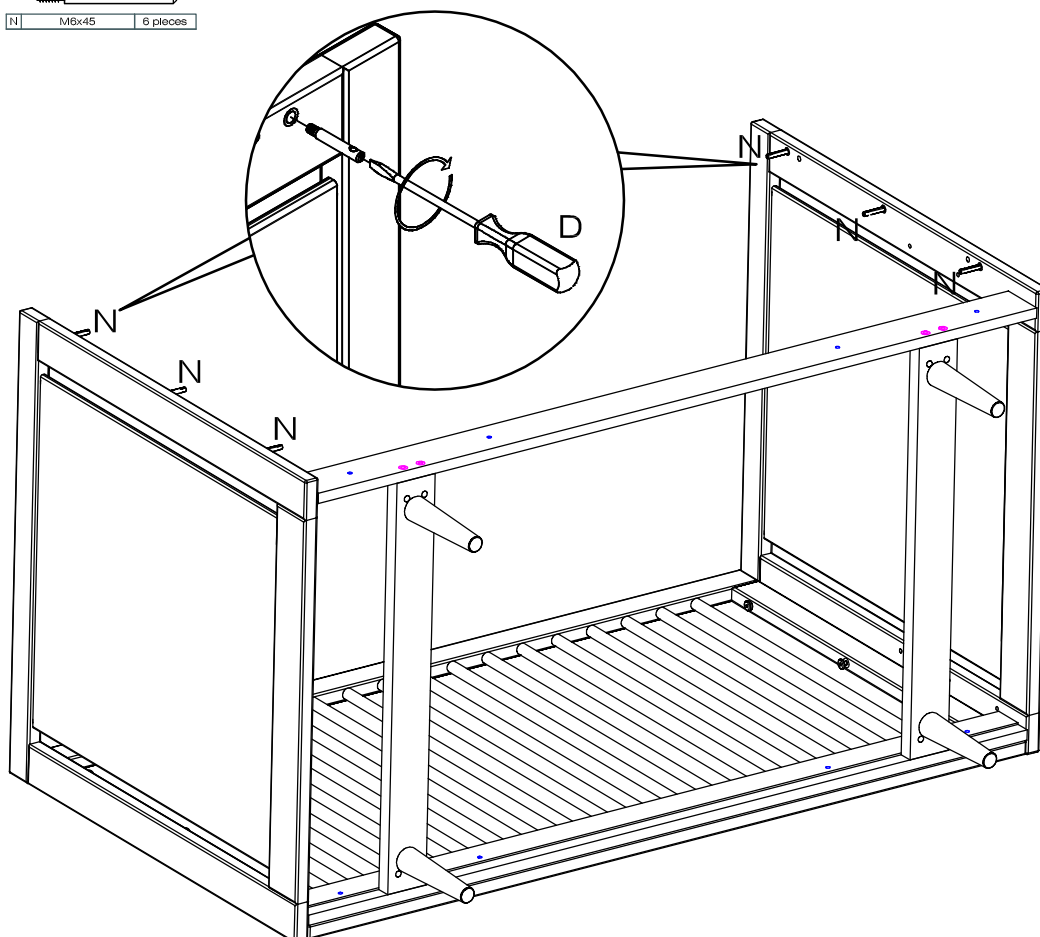
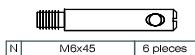
REMOVE!



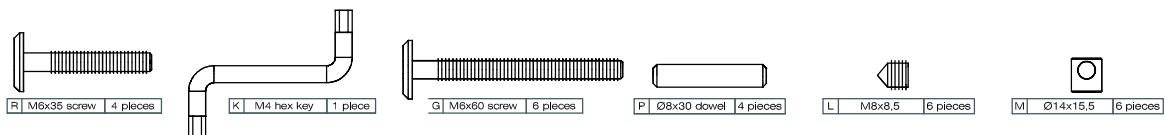
step 3
étape 3



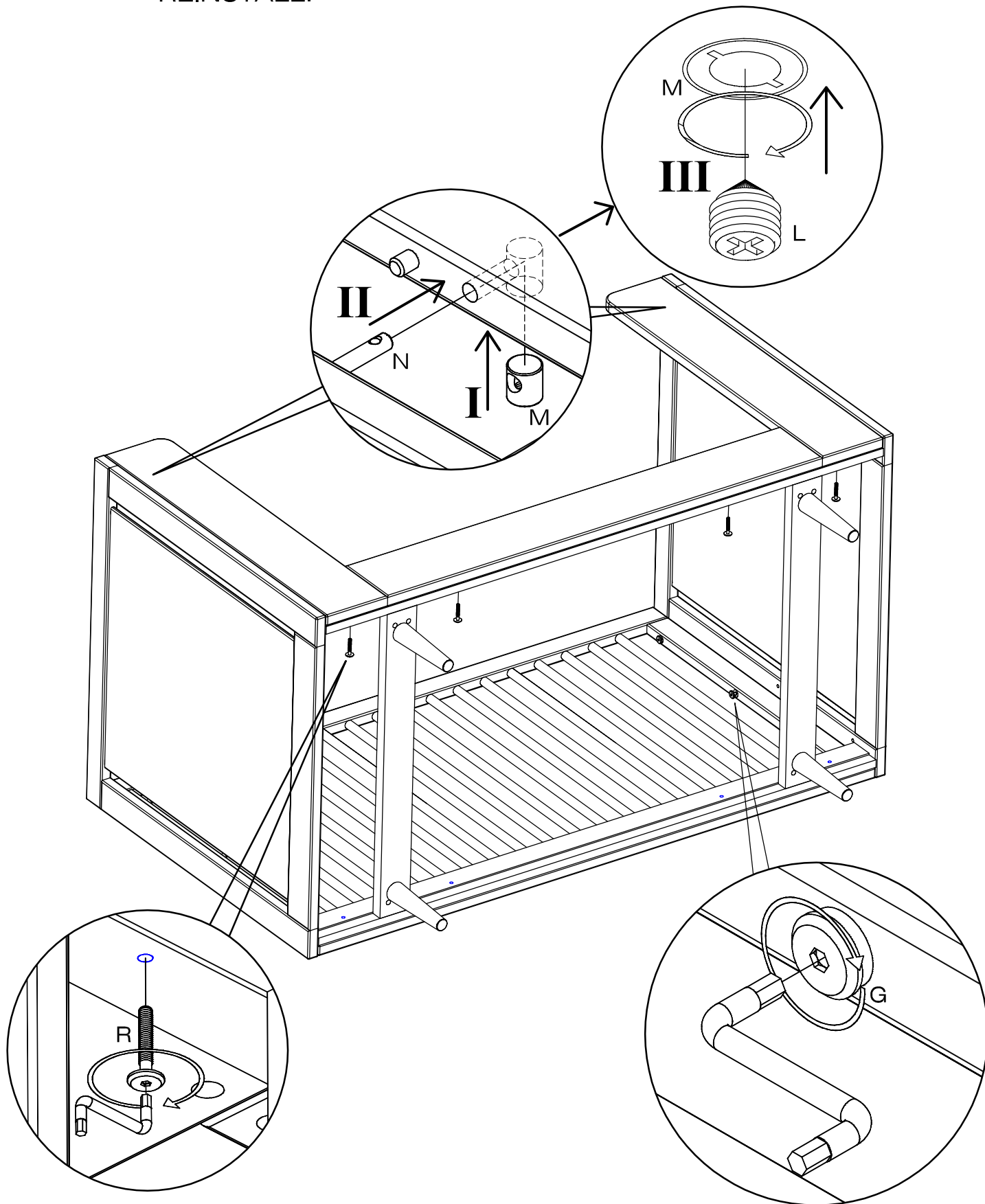
step 4
étape 4



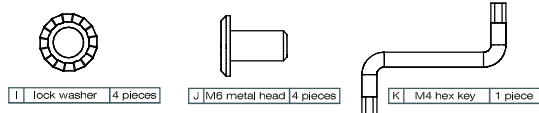
step 5
étape 5



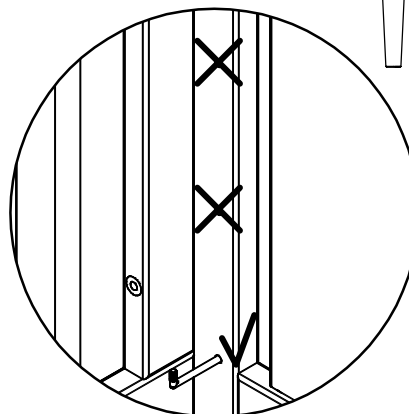
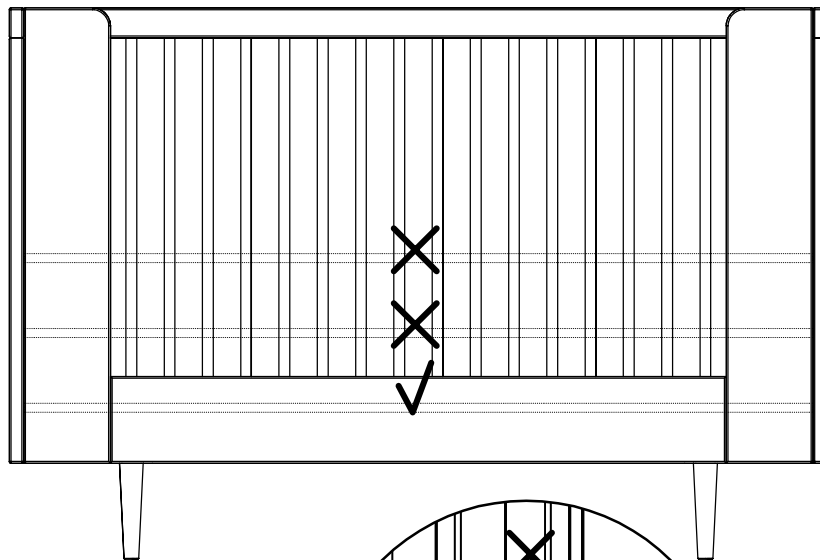
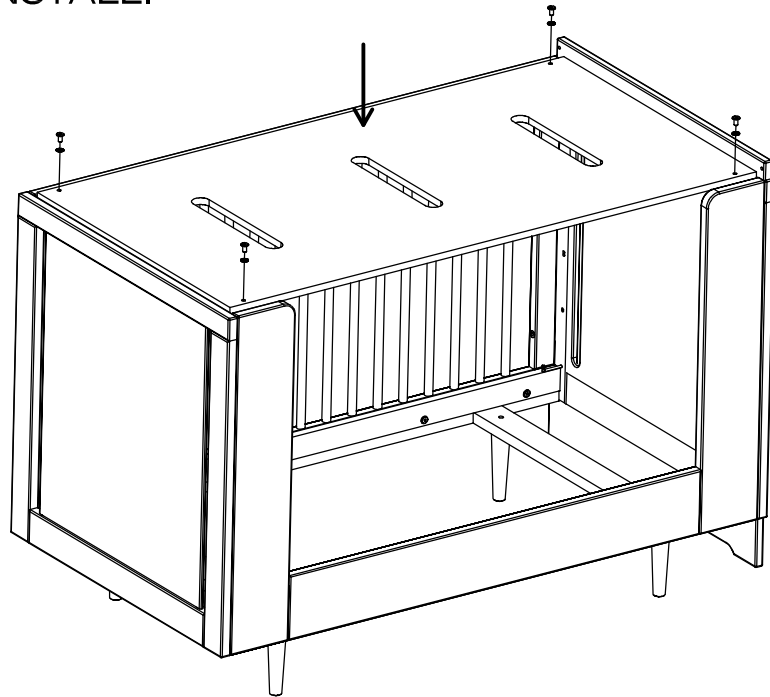
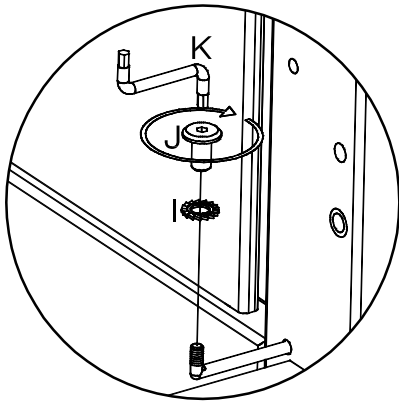
REINSTALL!



step 6
étape 6



REINSTALL!



Be sure to tighten the loosened screws from the remaining crib side.