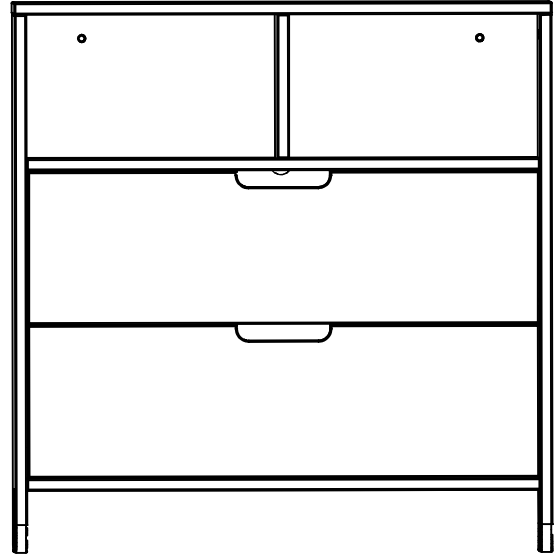


hiyadresser hiyacommode

Model HC71823
Modèle HC71823



Thank you for purchasing a Hiya Dresser from Spot On Square. We are proud to be a part of your growing family. We build our products with the safety of your child as our highest priority. In reading the following instructions you will find a simple series of steps that will guide you in the assembly of your Hiya Dresser. To avoid damage and ensure the safety of your child please follow the instructions carefully.

If you have questions about the assembly process or are missing any parts please contact us.

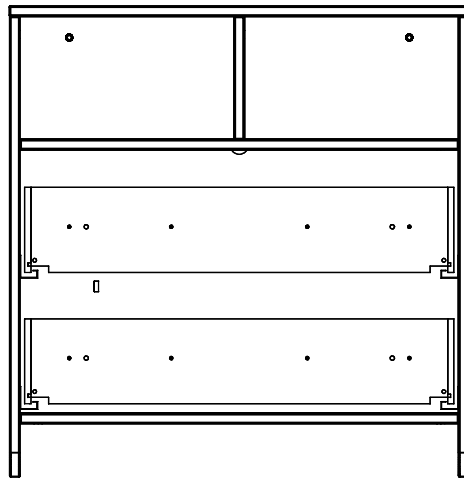
Spot on Square vous remercie d'avoir acheté une commode Hiya. Nous sommes fiers de faire partie de votre famille grandissante. La sécurité de votre enfant est notre plus haute priorité lorsque nous fabriquons nos produits. En lisant les instructions ci-après, vous trouverez les étapes pour vous guider dans l'assemblage de votre commode Hiya. Afin d'éviter d'éventuels incidents et assurer la sécurité de votre enfant, merci de suivre attentivement ces instructions.

N'hésitez pas à nous contacter si vous avez la moindre question concernant la notice de montage ou si une pièce est manquante.

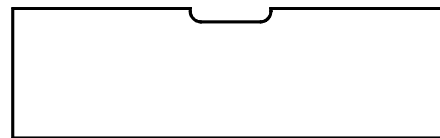
Spot On Square LLC
PO Box 6241
Orange, CA 92859
Toll-free (800) 308-0046
info@spotonsquare.com
www.spotonsquare.com

contents

parts



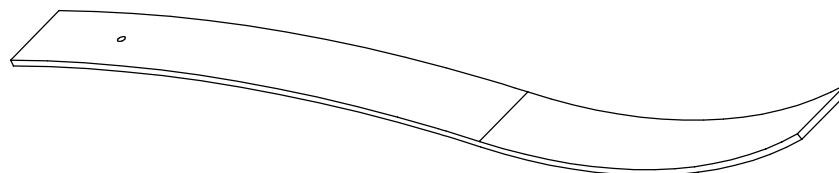
A dresser 1 piece



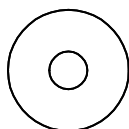
B facade 2 pieces

contents

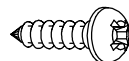
hardware



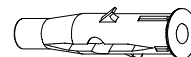
C Mounting strap 1 piece



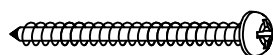
E Washer 2 pieces



D M4x15 screw 1 piece



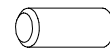
H Anchor Ø8x40 1 piece



J M4x50 screw 1 piece



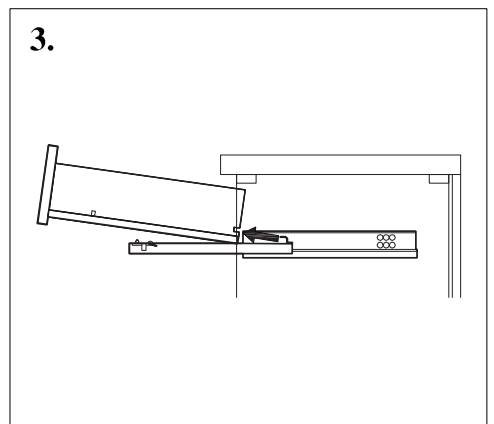
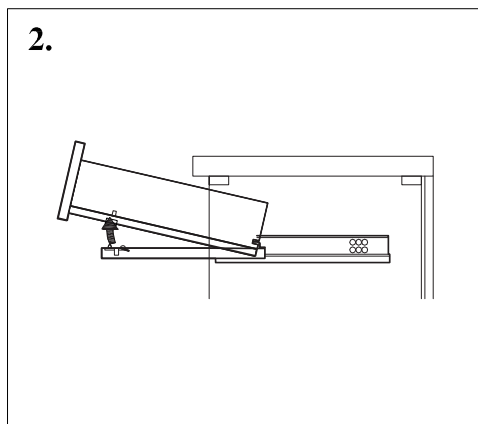
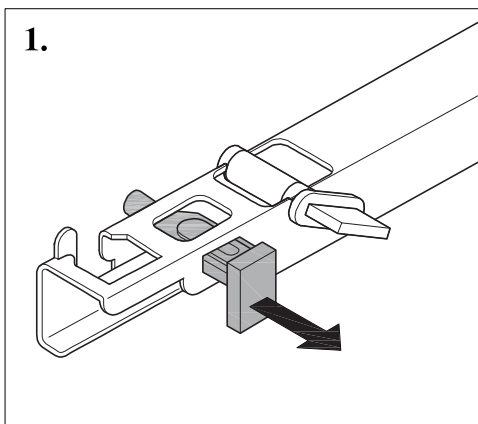
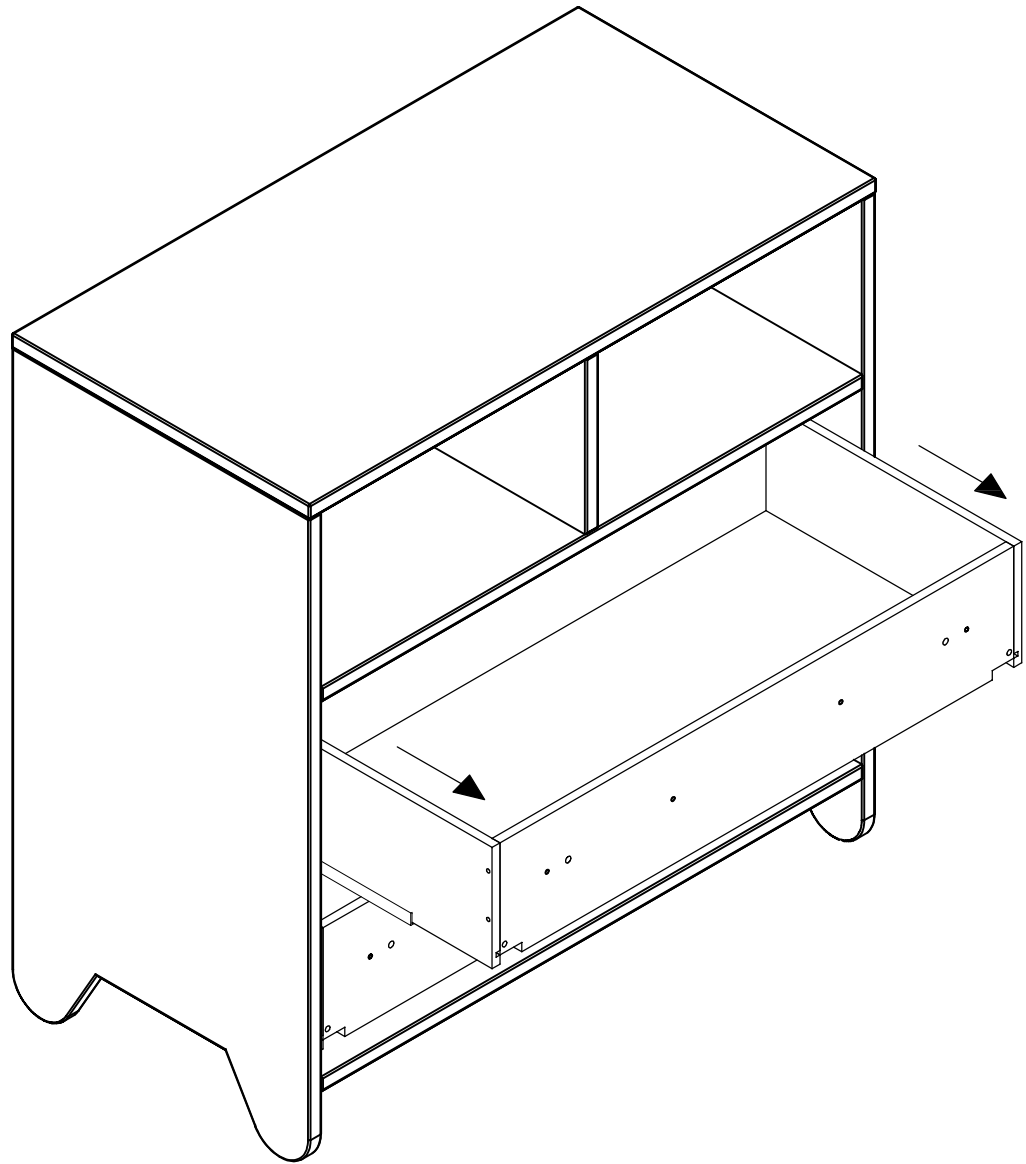
K 3.5x25 screw 8 pieces



L Ø8x20 dowel 2 pieces

WARNING: hardware components are a choking hazard and should be kept out of reach of children.

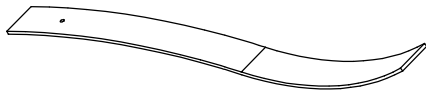
step 1



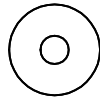
Remove the top drawer as shown.

assembly instructions

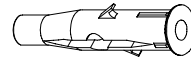
step 2



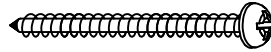
C Mounting Strap 1 piece



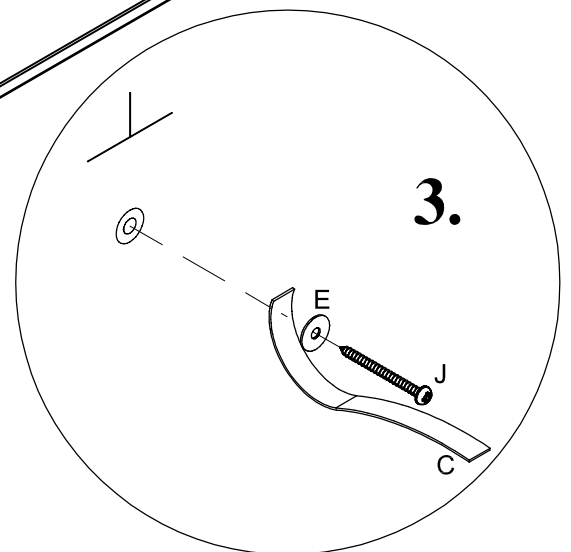
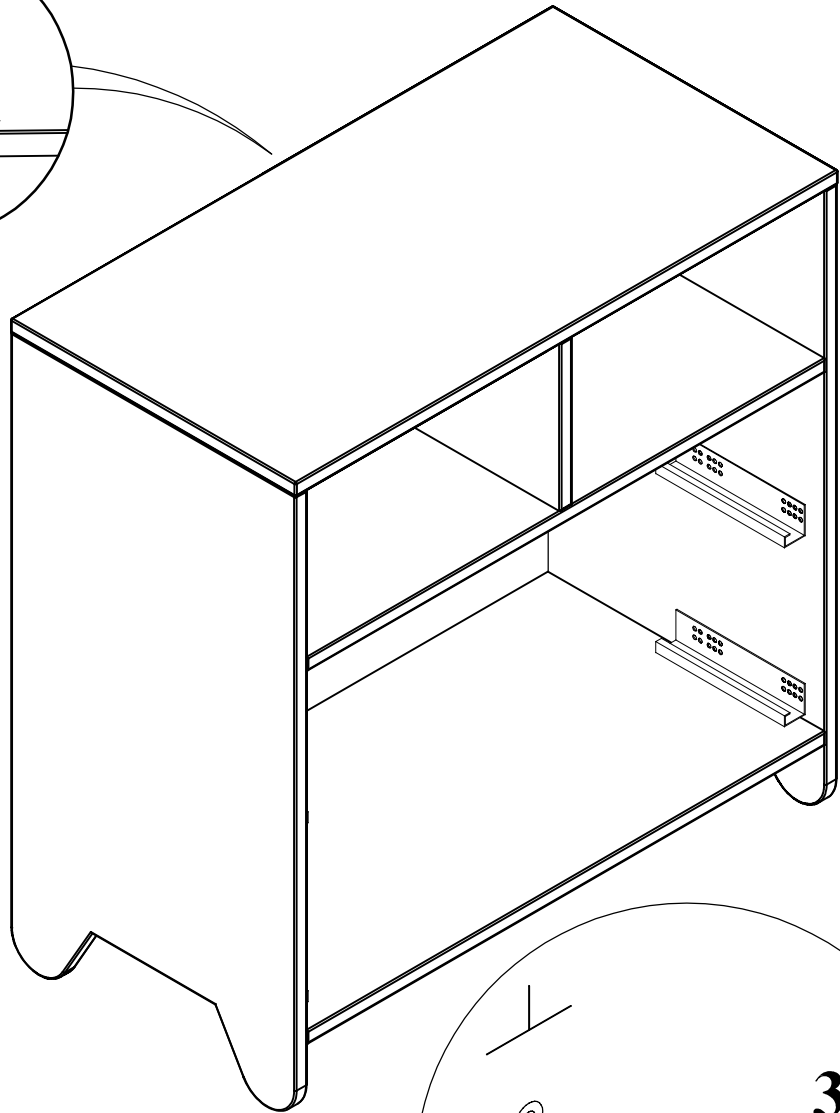
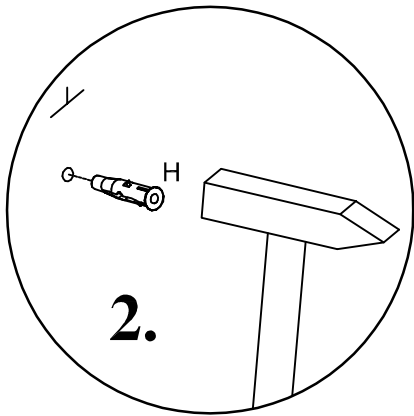
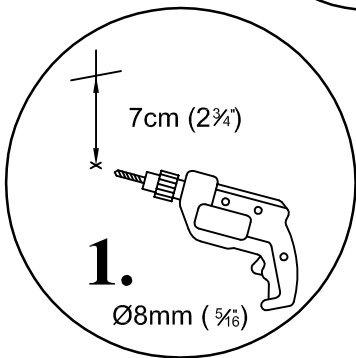
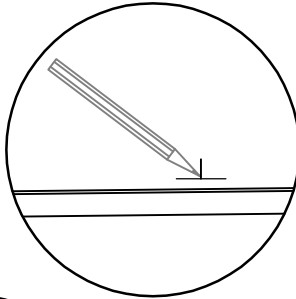
E Washer 1 piece



H Anchor Ø8x40 1 piece

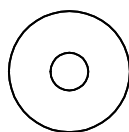


J M4x50 screw 1 piece

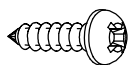


Using a pencil mark the wall directly above the cabinet at the center, then 2 3/4" (7 cm) down make a mark for the hole location. Drill the hole using a 5/16" (8mm) size drill bit. Place washer (E) over wall anchor screw (J) and drive through the mounting strap (C) into the wall anchor (H).

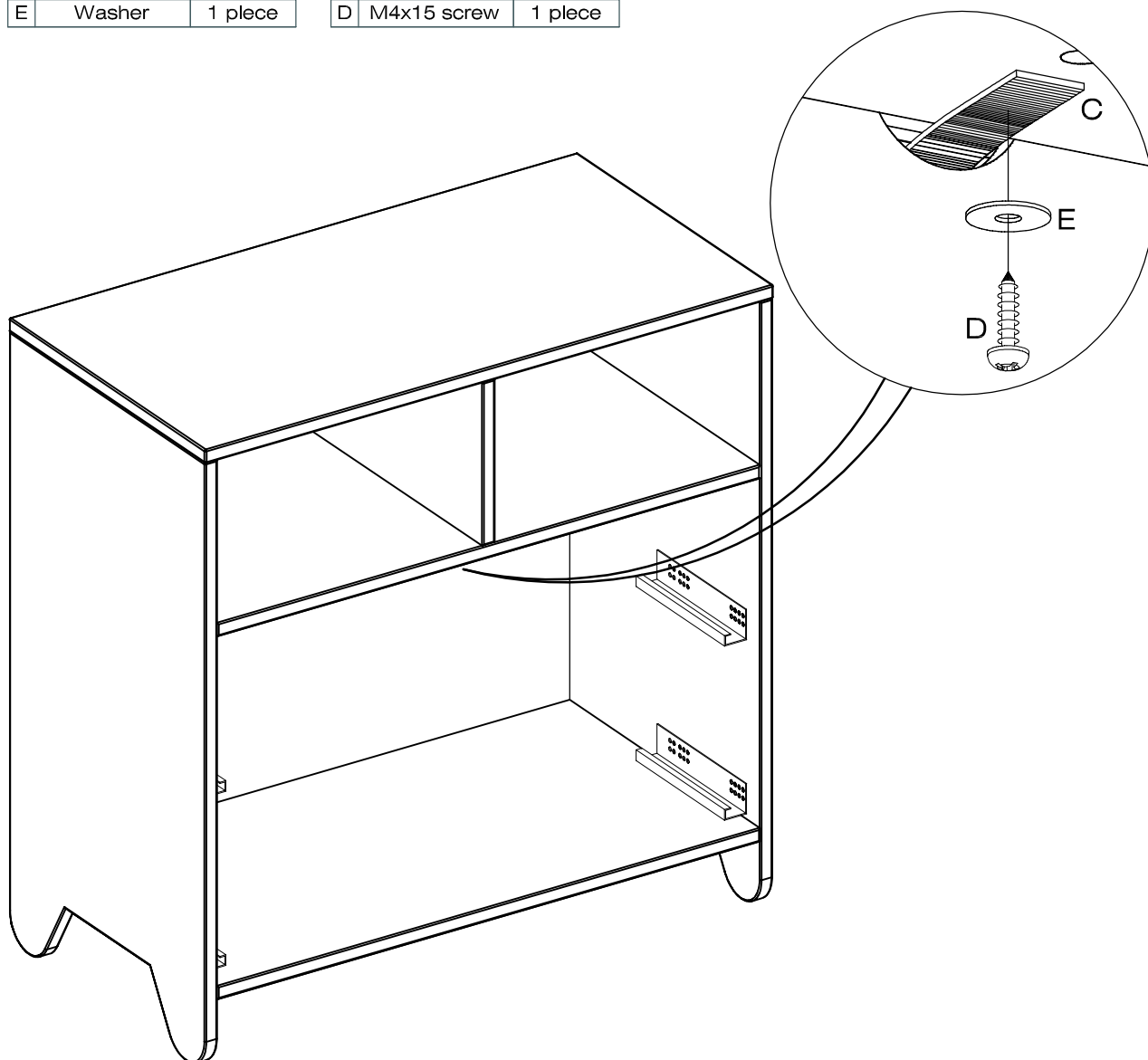
step 3



E	Washer	1 piece
---	--------	---------

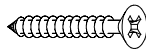


D	M4x15 screw	1 piece
---	-------------	---------

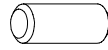


Feed the mounting strap (C) through the opening in the back of the dresser then place washer (E) onto screw (D) and tighten the mounting strap (C) to the inside of the cabinet.

step 4

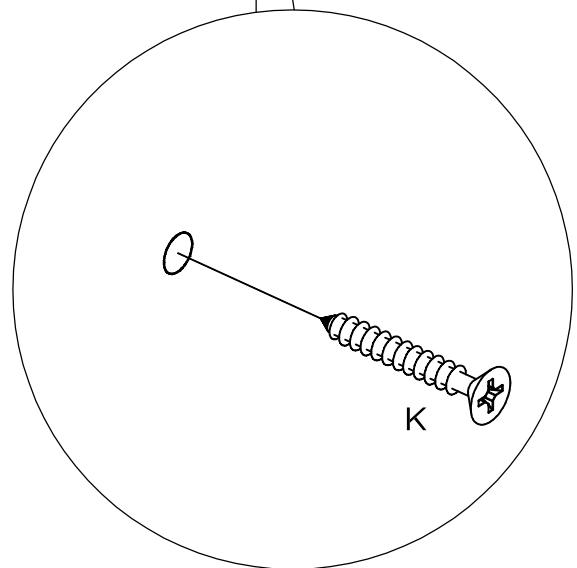
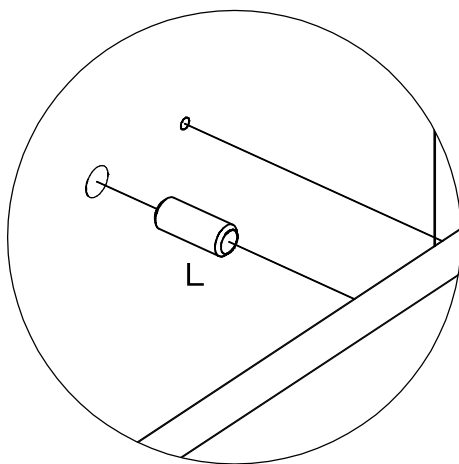
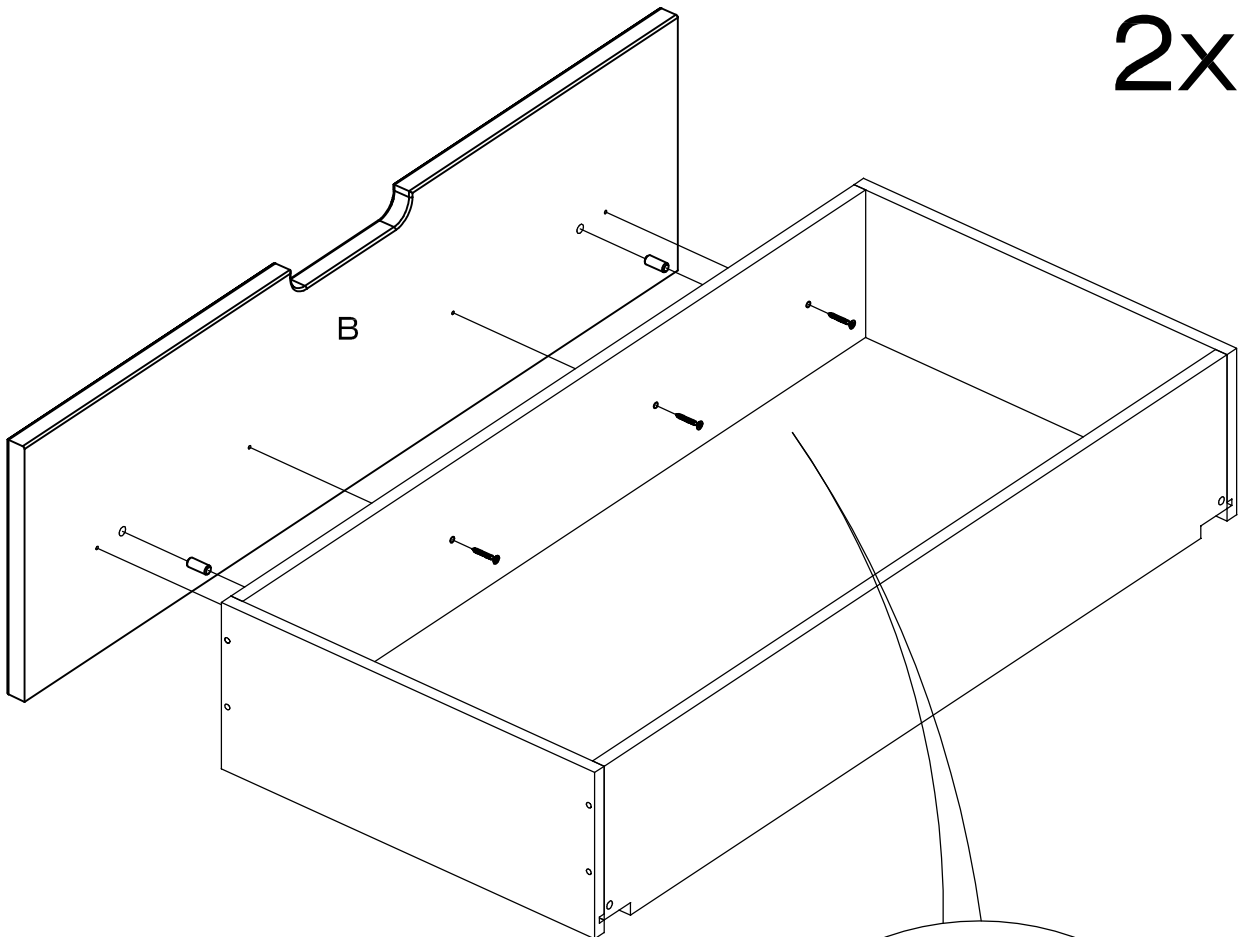


K 3.5x25 screw 8 pieces



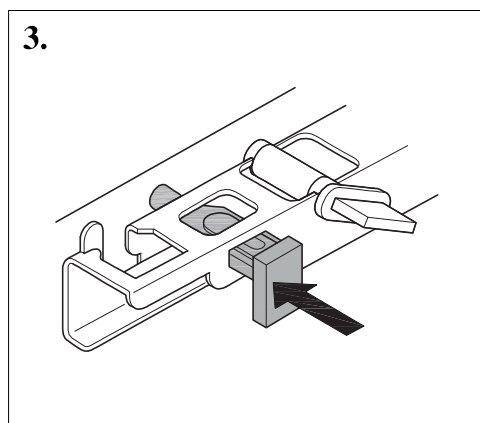
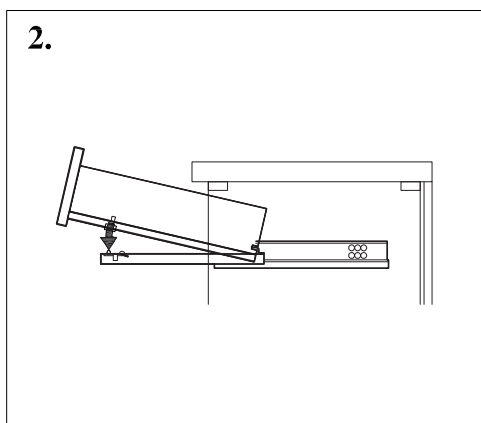
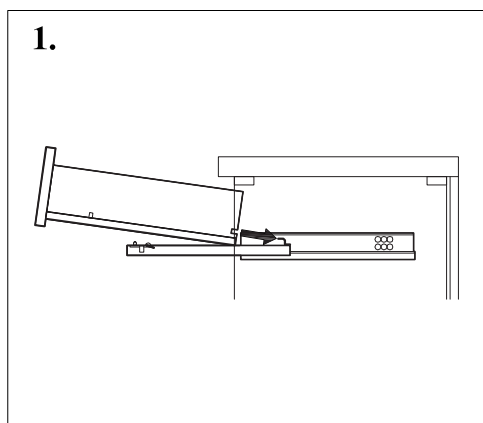
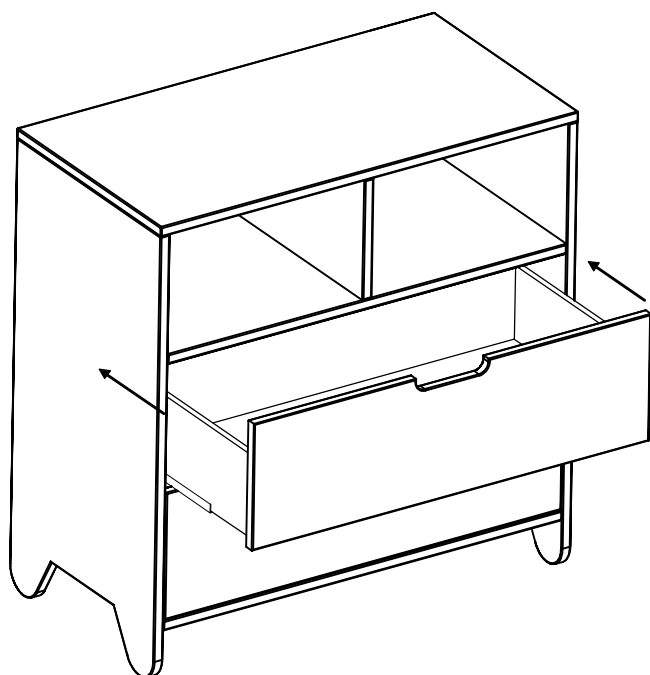
L Ø8x20 dowel 2 pieces

2x

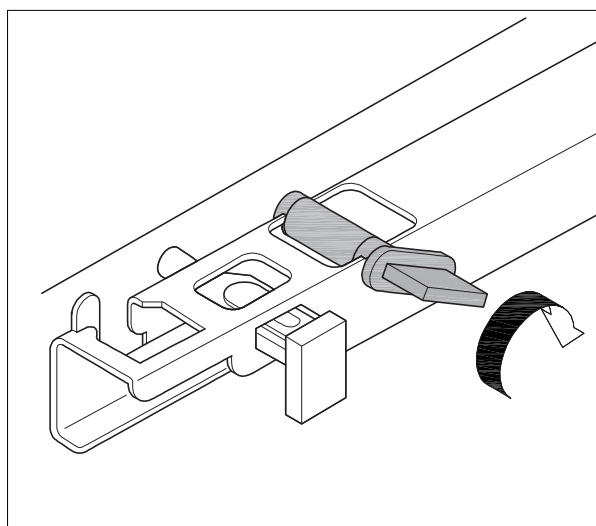


Attach the drawer front using screw (K) and dowel (L).

step 5



Height adjustment



Put the drawer back into the dresser and make any necessary adjustments as shown.